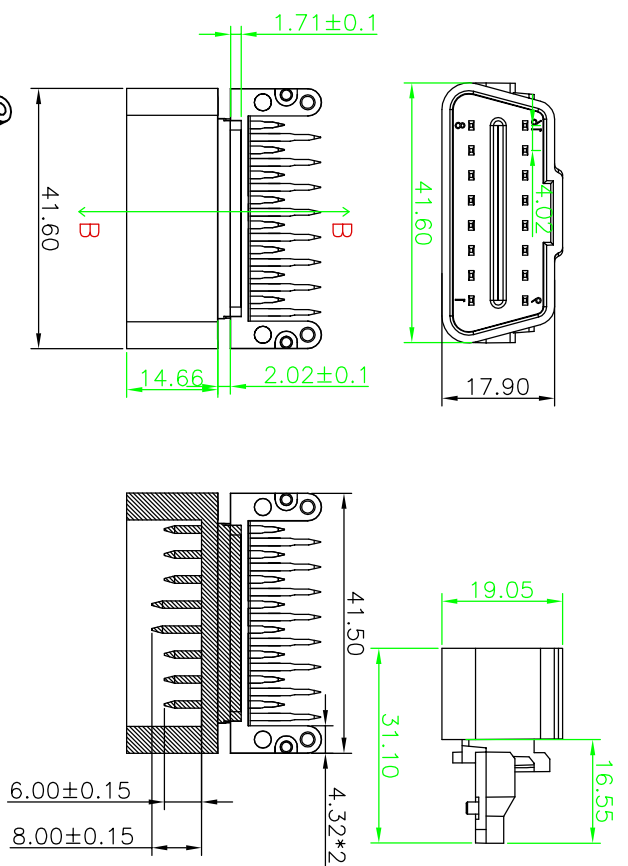
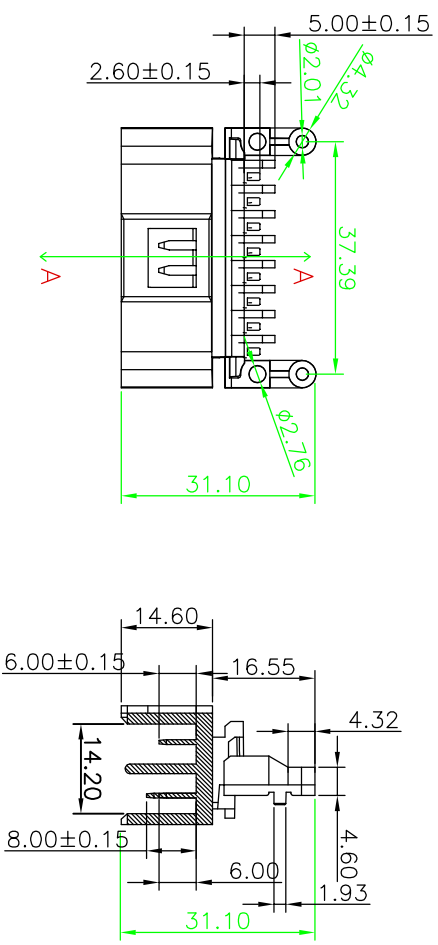


NO.		DESCRIPTION	DATE	REV.

REVISION		DATE	REV.



- NOTES:
1. J1962 CONNECTOR ASSEMBLY MUST COMPLY TO SAE J1962 STANDARDS UNLESS OTHERWISE SPECIFIED ON THIS DRAWING.
  2. CONNECTOR MATERIAL: NYLON, PA66 15% GLASS OR SPX ENGINEERING APPROVED EQUIVALENT. COLOR: BLACK
  3. TERMINAL MATERIAL: BRASS, C2680-H TERMINAL PLATING: TIN, 80u 20u, FLASH OVERALL NO BURRS ALLOWED ON OR AROUND TERMINALS.
  4. TERMINALS ARE TO BE LOCATED IN POSITION SO THAT CAN EASILY BE INSERTED INTO THE MATING PCB (SEE DRAWING BELOW FOR REFERENCE).
  5. THIS DRAWING TO BE USED FOR REFERENCE, TOLERANCING AND INSPECTION ONLY. IGES FILE: 0600-000-0932-(REV).IGS OR 0600-000-0932-(REV).STEP TO BE USED TO DERIVE ALL SURFACES, RADII, BLENDS, DRAFTS AND FEATURES.
  6. SHARP CORNERS ARE ALLOWED (.015") R. MAX.
  7. ALL EXTERIOR SURFACES TO BE FREE OF SCRATCHES, BLEMISHES, KNIT LINES, FLOW LINES, SINK, GATE BLUSH AND OTHER COSMETIC DEFECTS.
  8. MOLD FLASH TO BE WITHIN THE DIMENSION TOLERANCE.
  9. MOLD FLASH AROUND CONTACT PINS IS NOT ALLOWED.
  10. ALL DIMENSIONS ABOUT A CENTERLINE TO BE SYMMETRICAL TO THAT CENTERLINE WITHIN HALF OF ITS TOLERANCE.
  11. ALL GATES, EJECTORS AND PARTING LINES TO BE APPROVED BY SPX ENGINEERING DEPARTMENT.
  12. TEXTURE: SEE SHEET #2
  13. SAMPLES TO BE APPROVED BY SPX ENGINEERING DEPARTMENT PRIOR TO PRODUCTION.
  14. THIS PART TO BE PACKAGED TO PREVENT DAMAGE DURING SHIPPING AND HANDLING.
  15. MUST BE ROHS COMPLIANT AND LEAD FREE. CERTIFICATION OF CONFORMITY REQUIRED.

COMTECH ELECTRONIC CO.,LTD

UNIT: mm	TITLE: C-OBDDII-16P-M-90
DRAWN BY: zhoufei	度-针座插件
CHECKED BY:	CUSTOMER:
DATE: 2013-4-24	CUSTOMER P/N:
APPROVED BY:	PART NO. CR-PG026
DATE:	SAMPLE NO.:
SALE BY:	REV. A

单位精度	误差值	备注
XX.XX	±0.25	
X.XX	±0.15	